



C.D. Sparling Company

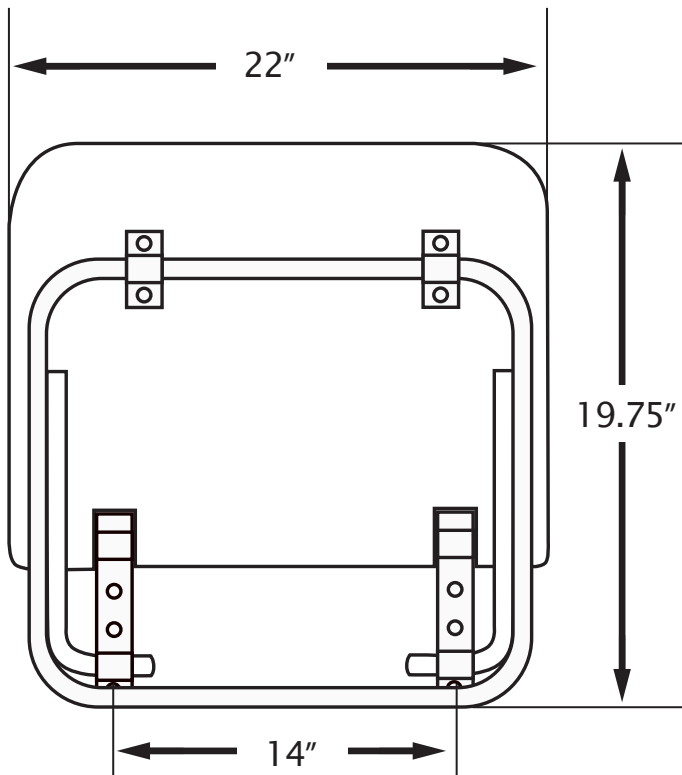
www.cdsparring.com

MODEL ADA-22

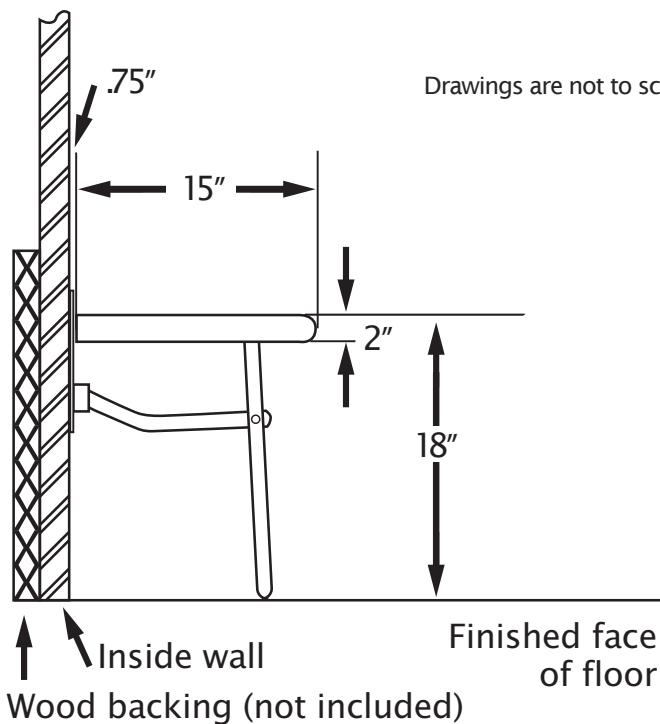
FOLD-UP SHOWER SEAT

22" x 15"

MODEL ADA-22
FOLD-UP SHOWER SEAT
22" X 15"



Drawings are not to scale



MATERIALS

Seat is fully assembled in Michigan

Seat - Linear low-density polyethylene, rigid foam filled seat with textured non-slip surface.

Manufactured in Michigan

Frame - 3/4" Diameter 18 gauge, Type 304 polished and buffed stainless steel tubing.

Manufactured in Michigan, Stainless Steel from North Carolina

Mounting Brackets - 16 gauge, Type 304, 2B finish stainless steel.

Radius molded polypro friction brakes.

Manufactured in Michigan, Stainless Steel from Ohio

Specifications

The ADA-22 seat meets and exceeds ADAAG 4.26.3 for structural strength when properly mounted. The ADA-22 meets ANSI 610.3.1 standards specified for rectangular seats.

MADE IN THE USA

Seat includes 8 each #14 x 2-1/2" stainless steel screws. Use for mounting brackets into wood backing (wood backing not included).